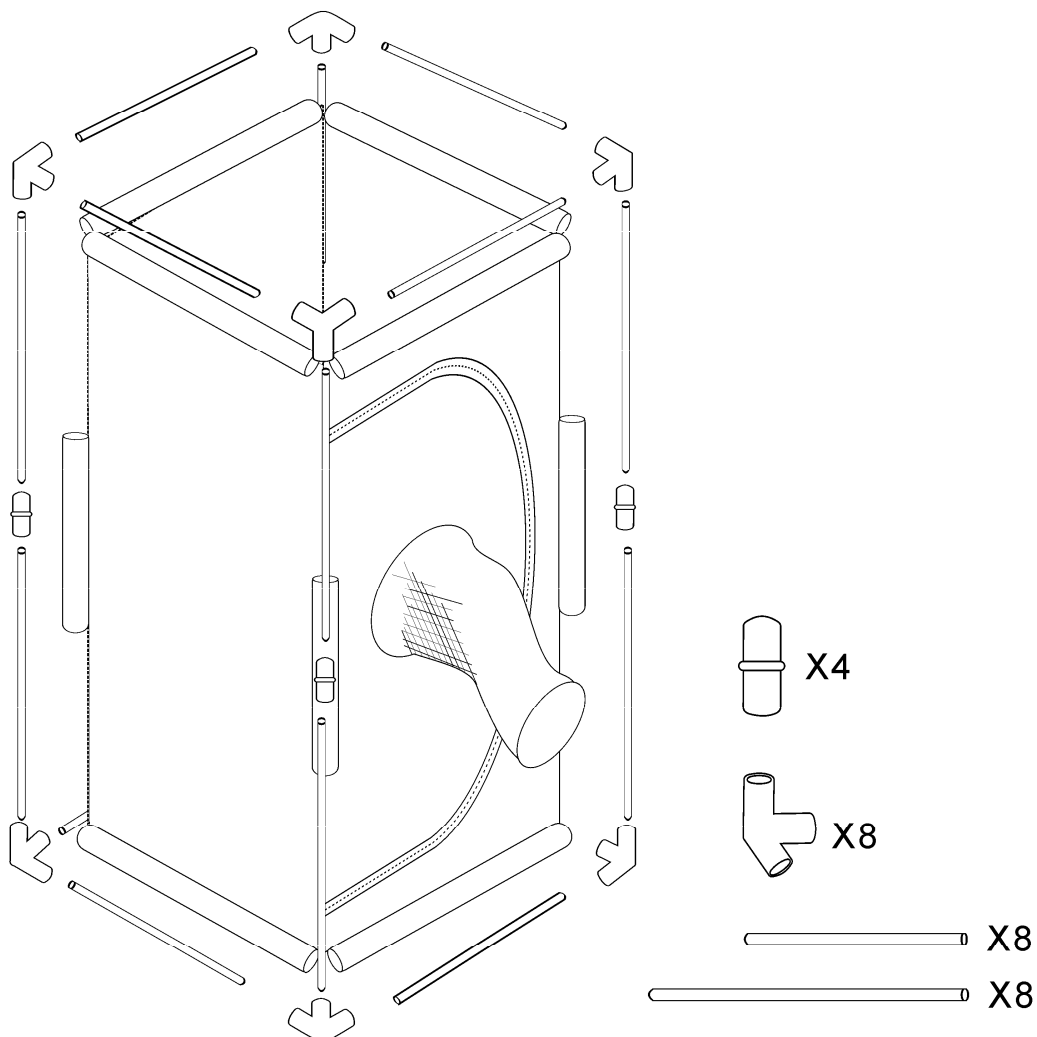


# BugDorm-42260F Insect Cage (BD42260F)

MegaView Science Co., Ltd.

<http://BugDorm.com> • <http://MegaView.com.tw>



## Package Contents

- 1 BugDorm
- 8 Short Poles
- 8 Long Poles
- 4 Two-Way Splints
- 8 Three-Way Splints

## Assembly

1. Use four two-way splints to connect eight long poles into four poles.
2. Thread one pole from Step 1 into each of four long sleeves of BugDorm.
3. Thread remaining eight poles into short sleeves of BugDorm.
4. Connect poles with three-way splints.

## Caution

- ※ Operating Temperature: -10 to 60°C
- ※ Nylon fabric degrades easily in UV ray. Please avoid long-term exposure to direct sunlight.
- ※ When trying to take the assembled cage apart, you may find a few poles locked in the splint.  
**Do not force them apart**, or you may rip the seam. Try to find a looser connection elsewhere.

Have any questions? Please email us: [bugdorms@megaview.com.tw](mailto:bugdorms@megaview.com.tw)