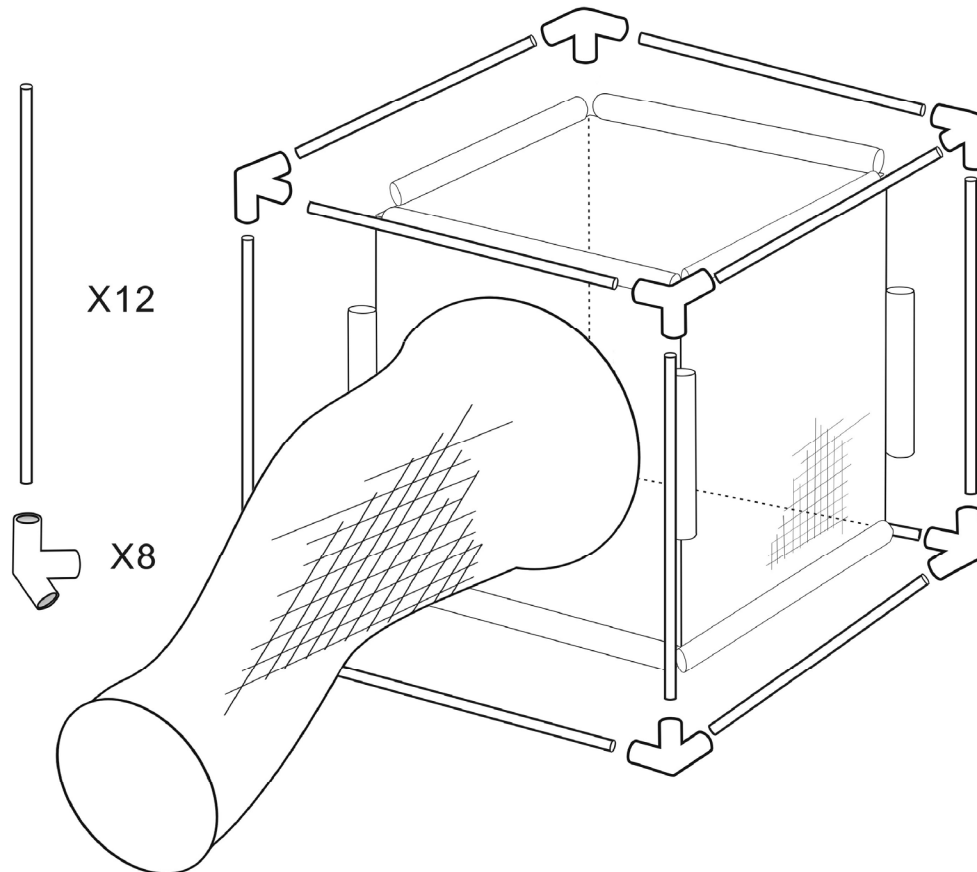


BugDorm-43030F Insect Cage (BD43030F)

MegaView Science Co., Ltd.

<http://BugDorm.com> • <http://MegaView.com.tw>



Package Contents

- 1 BugDorm
- 12 Poles
- 8 Splints

Assembly

1. Thread one pole into each of 12 sleeves of BugDorm.
2. Connect poles with splints.

Caution

- ※ Operating Temperature: -10 to 60°C
- ※ Nylon fabric degrades easily in UV ray. Please avoid long-term exposure to direct sunlight.
- ※ When trying to take the assembled cage apart, you may find a few poles locked in the splint. **Do not force them apart**, or you may rip the seam. Try to find a looser connection elsewhere.

Have any questions? Please email us: bugdorms@megaview.com.tw