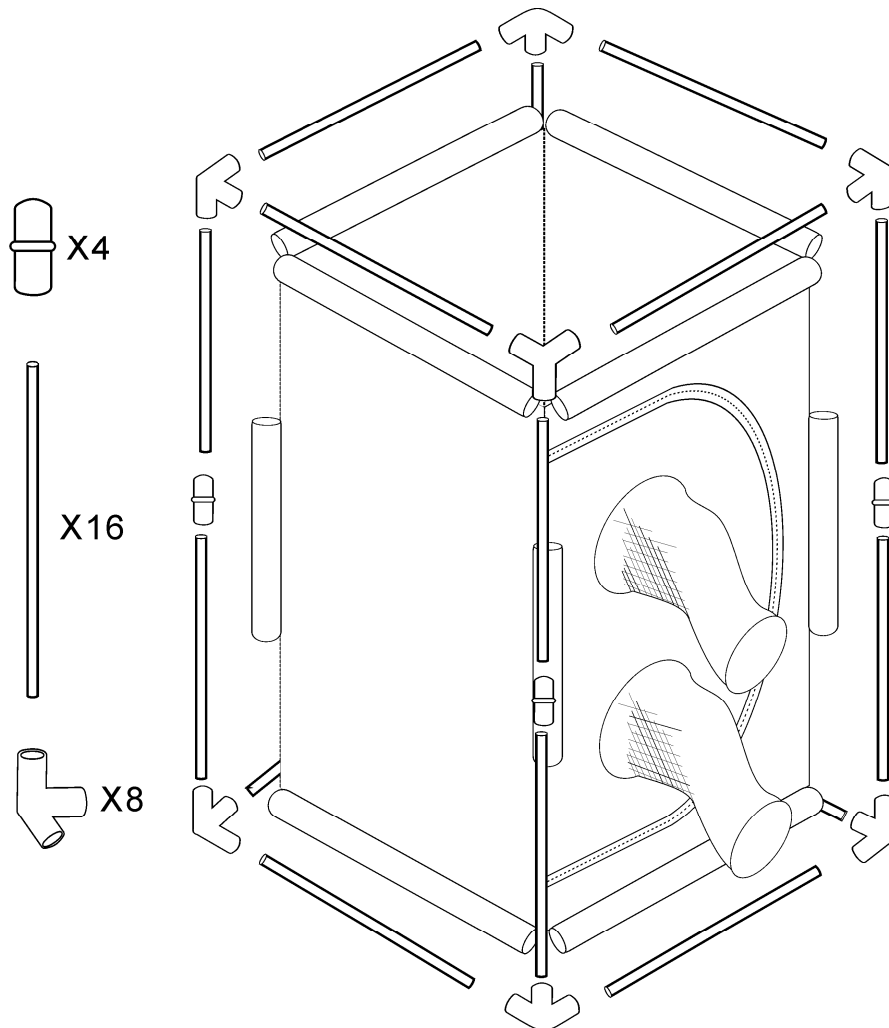


BugDorm-44590 Insect Cage (BD44590)

MegaView Science Co., Ltd.

<http://BugDorm.com> • <http://MegaView.com.tw>



Package Contents

- 1 BugDorm
- 16 Poles
- 4 Two-Way Splints
- 8 Three-Way Splints

Assembly

1. Use four two-way splints to connect eight poles into four long poles.
2. Thread one long pole from Step 1 into each of four long sleeves of BugDorm.
3. Thread remaining eight poles into short sleeves of BugDorm.
4. Connect poles with three-way splints.

Caution

- ※ Operating Temperature: -10 to 60°C
- ※ When trying to take the assembled cage apart, you may find a few poles locked in the splint.
Do not force them apart, or you may rip the seam. Try to find a looser connection elsewhere.

Have any questions? Please email us: bugdorms@megaview.com.tw